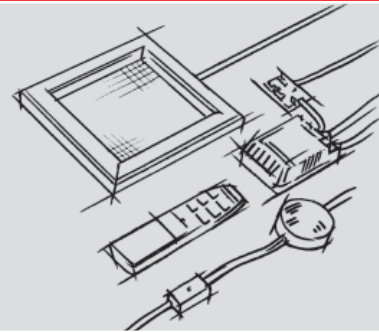


RGB Colour Change



Hera's RGB colour-change systems create mood lighting to enhance any environment. The basic colours of red, green and blue can be blended to produce continuously changing shades and colour flows. This lighting control system offers endless possibilities to add a new dimension to rooms or room elements with coloured light.

All colour changes can be programmed separately. The colour mixture is generated by coloured LEDs or fluorescent lamps. The control unit can also be used to programme colour flows over different colours.

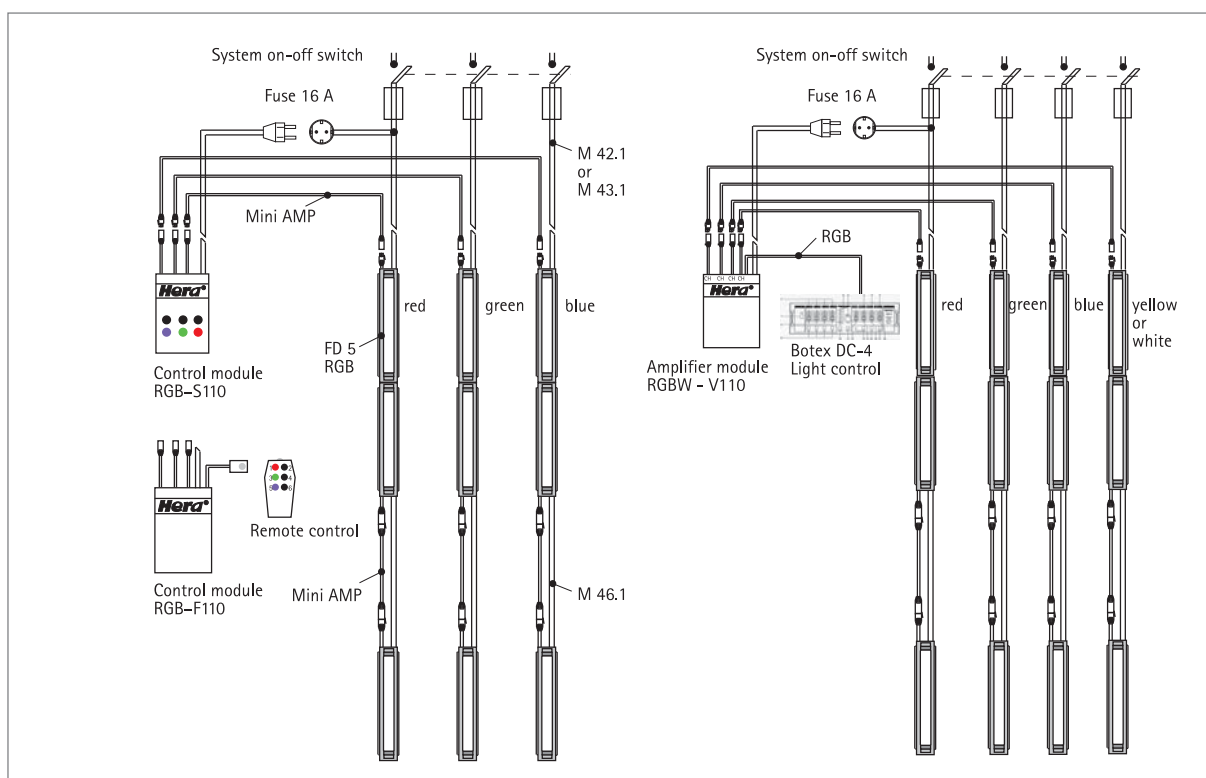
Different versions can be pre-programmed or even programmed to respond to music. Manual operation with IR remote control is also an option. Areas of application include shops and exhibitions, or counter tops and room dividers in the home.

RGB Light Control System



Colour Change System with Fluorescent Luminaires

- Application:** RGB light control for shops and exhibitions, counter tops and room elements
- Connection:** 220 – 240V / 50 – 60Hz
- Lamp:** extra long-life T8 (ø 26mm) fluorescent lamp, ø life 20,000 hours
- Special features:**
- colour mix by means of dimmable fluorescent lamps with RGB electronic ballast for up to 90 luminaires (30 per colour), or 120 luminaires with luxury control
 - gently-fading colour flows can be programmed (4 secs. to 2.5 mins. per sequence)
 - for an evenly diffused illumination the space between luminaires should be approx. 180mm, between the mounting surface of the luminaires and the Plexiglas® cover approx. 300mm (when using Plexiglas® with a translucence of 24% such as the Röhm Company's Type 072 GS)
 - range of the IR remote control approx. 15 metres
 - control cables 1 – 10V with Mini AMP plug-in system polarised
 - luxury control with 42 pre-programmed and one freely-programmable operation (dimming phase, speed, fader time, music feed etc.)
 - dimensions of control module and amplifier: (L x W x H = 200mm x 110mm x 55mm)



RGB Light Control System

Fluorescent
LED



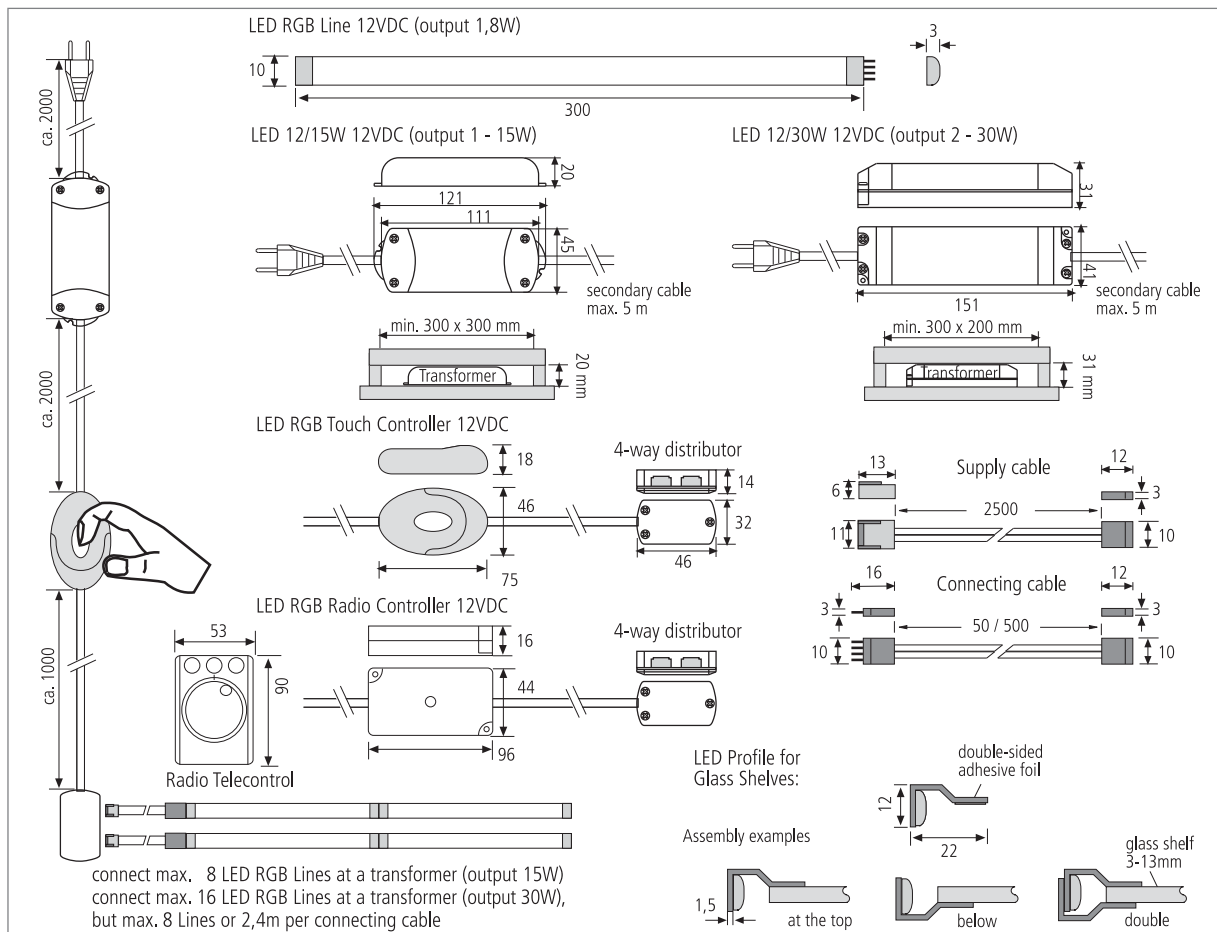
Article No.	Description	Illustration	Features	Approx. weight	
506 171 001 01	RGB – S 110 control module		<ul style="list-style-type: none"> mains cable 2m with Euro plug 	560 g	
506 171 002 01	RGB – F 110 control module with IR remote control			90 + 560 g	
506 172 001 01	RGB – V 110 Amplifier module for luxury control			1250 g	
506 173 001 01	Botex luxury control		<ul style="list-style-type: none"> 4 channels (+ white luminaires) 	1280 g	
501 070 902 12	FD 5 620mm 18W RGB		<ul style="list-style-type: none"> please order lamp separately incl. electronic ballast dimnable for RGB control 	1250 g	
501 070 903 12	FD 5 925mm 30W RGB			1650 g	
501 070 904 12	FD 5 1230mm 36W RGB			2100 g	
501 070 905 12	FD 5 1530mm 58W RGB			2450 g	
201 010 123 36	Fluorescent lamp T8 18W red			90 g	
201 010 123 26	Fluorescent lamp T8 18W green		90 g		
201 010 123 06	Fluorescent lamp T8 18W blue		90 g		
201 010 123 37	Fluorescent lamp T8 30W red		125 g		
201 010 123 47	Fluorescent lamp T8 30W green		125 g		
201 010 123 07	Fluorescent lamp T8 30W blue		125 g		
201 010 123 38	Fluorescent lamp T8 36W red		160 g		
201 010 123 28	Fluorescent lamp T8 36W green		160 g		
201 010 123 08	Fluorescent lamp T8 36W blue		160 g		
201 010 123 39	Fluorescent lamp T8 58W red		200 g		
201 010 123 29	Fluorescent lamp T8 58W green		200 g		
201 010 123 09	Fluorescent lamp T8 58W blue		200 g		
215 032 202 20	Mini AMP connecting cable 0.5m			<ul style="list-style-type: none"> further information on page 134 	25 g
215 032 202 10	Mini AMP connecting cable 1m	40 g			
215 032 202 02	Mini AMP connecting cable 1.8m	65 g			
215 100 105 01	M42.1/ 500 mains cable 0.5m		<ul style="list-style-type: none"> with ferrules (country-specific plugs page 137) 	70 g	
215 100 102 01	M42.1/1000 mains cable 1m			120 g	
215 100 103 01	M42.1/1500 mains cable 1.5m			170 g	
215 100 101 01	M42.1/2000 mains cable 2m			220 g	
215 100 104 01	M42.1/3000 mains cable 3m			320 g	
215 100 204 01	M43.1/1000 mains cable 1m			<ul style="list-style-type: none"> with shockproof right angle plug D/F/B 	170 g
215 100 203 01	M43.1/1500 mains cable 1.5m				220 g
215 100 201 01	M43.1/2000 mains cable 2m				270 g
215 100 202 01	M43.1/3000 mains cable 3m			370 g	
215 100 401 01	M46.1/ 200 connecting cable 0.2m				
215 100 404 01	M46.1/ 300 connecting cable 0.3m	60 g			
215 100 402 01	M46.1/ 500 connecting cable 0.5m	80 g			
215 100 403 01	M46.1/1000 connecting cable 1m	130 g			
215 100 405 01	M46.1/1500 connecting cable 1.5m	180 g			
215 100 406 01	M46.1/2000 connecting cable 2m	230 g			
215 100 407 01	M46.1/3000 connecting cable 3m	320 g			
502 004 000 04	G 316 M Socket		<ul style="list-style-type: none"> mountable 	25 g	
502 005 000 04	S 316 M Plug	further information on page 136		25 g	

LED RGB Line



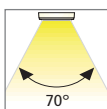
Pressure-sensitive, flexible LED RGB strips

- Application:** RGB light control for shops and exhibitions, counter tops and room elements
- Connection:** 220 – 240V / 50 – 60Hz
- Special features:**
- quick and easy installation with double-sided adhesive tape
 - stripe can be shorten all 75 mm (marking under the adhesive foil)
 - with Memory-Function (after cut off from mains the last switching status is recovered)
 - light control with LED RGB Controller:
 - 7 (free adjustable with the radio controller) colours fixed adjustable
 - 7 colours alternately (approx. 1 Sek. per colour)
 - gently fading colour flow (approx. 2 Min.)



LED RGB Line

Fluorescent
LED



LED RGB Line – the RGB light control system for creative coloured highlights for shops and exhibitions, counter tops and room elements. It is possible to adjust 7 (free adjustable with the radio controller) colours. Allows colour flows from red, green, blue, magenta, turquoise, yellow and white.

Article No.	Description	Illustration	Features	Approx. weight	
202 021 301 01	LED RGB Line 300mm 12LED 1,8W		<ul style="list-style-type: none"> Light colour RGB 	10 g	
215 290 625 01	Supply cable LED RGB Line 2500mm		<ul style="list-style-type: none"> connection between transformer and first LED RGB Line 	40 g	
215 290 600 01	Connecting cable LED RGB Line 50 mm		<ul style="list-style-type: none"> connection between two LED RGB Lines 	2 g	
215 290 605 01	Connecting cable LED RGB Line 500 mm			9 g	
615 000 302 01	LED Profile for Glass Shelves 410mm		<ul style="list-style-type: none"> anodised aluminium incl. double-sided adhesive foil 	50 g	
615 000 302 02	LED Profile for Glass Shelves 560mm			70 g	
615 000 302 06	LED Profile for Glass Shelves 760mm			95 g	
615 000 302 03	LED Profile for Glass Shelves 860mm			110 g	
615 000 302 07	LED Profile for Glass Shelves 960mm			120 g	
615 000 302 04	LED Profile for Glass Shelves 1160mm			150 g	
615 000 302 51	LED Profile for Glass Shelves 1950mm			<ul style="list-style-type: none"> set of 10 	2440 g
206 040 013 01	LED Trafo LED 12/15W with Touch Controller				<ul style="list-style-type: none"> mains cable 2m with Euro plug with 4-way LED RGB distributor
206 040 014 01	LED Trafo LED 12/30W with Touch Controller			360 g	
206 040 013 11 *	LED Trafo LED 12/15W with Radio Controller		<ul style="list-style-type: none"> mains cable 2m with Euro plug with 4-way LED RGB distributor with radio telecontrol (reach max. 15m) 	300 g	
206 040 014 11 *	LED Trafo LED 12/30W with Radio Controller			390 g	

* available from 2nd quarter 2009

NEW

NEW