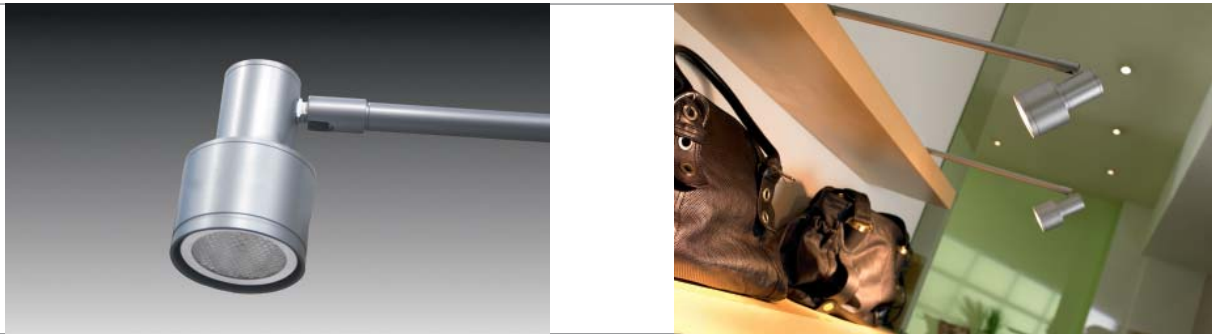


BS 500

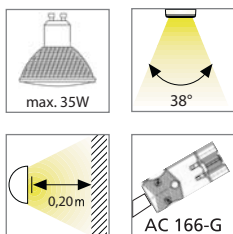
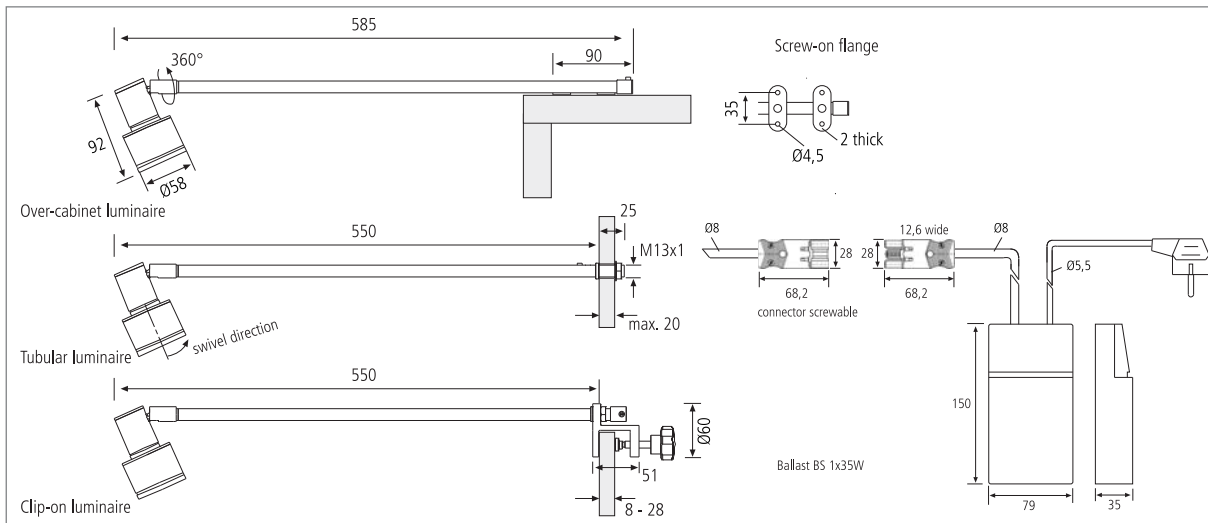


Fluorescent
Metal Halide
Halogen
LED



Over-cabinet luminaire with metal halide lamp

- Application:** bright over-cabinet luminaire for efficient shop-lighting
- Connection:** BriteSpot electronic ballast (220 – 240V / 50 – 60Hz)
- Lamp:** long-life metal halide lamp GX 10, \varnothing life 9,000 hours
- Energy efficiency:** very good, ca. 85lm/W (35W)
- Colour rendering:** good, Ra = 90
- Special features:** with new metal halide lamp BriteSpot™ by Sylvania; 3-times the light output of halogen reflector lamps; over-cabinet, tubular and clip-on alternatives available.



BS 500 – 35W tubular luminaire for striking accentuation of products. Its life is approx. 9,000 hours. The luminaire head can be screwed off, which makes it very easy to replace the lamp. Three different versions of the spotlight are available - over-cabinet, tubular and clip-on. The ballast ignites after a cooling period of approx. 3 minutes after temporary cut off as is the rule for metal halide lamps.

Article No.	Description	Features	Approx. weight
501 550 101 01	Over-cabinet luminaire BS 500mm matt chrome	<ul style="list-style-type: none"> • supply cable 1.4m with 3-pole plug • please order lamps and ballast separately 	640 g
501 550 201 01	Tubular luminaire BS 500mm matt chrome		610 g
501 550 301 01	Clip-on luminaire BS 500mm matt chrome		790 g
502 009 010 01	Ballast BS 1x 35W	<ul style="list-style-type: none"> • mains cable 2m with shockproof plug • connecting cable 1m with 3-pole coupling 	510 g
201 040 101 01	Brite Spot E550 35W 38°	<ul style="list-style-type: none"> • colour appearance ww (warm white) 3000K 	50 g