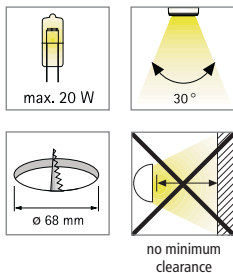
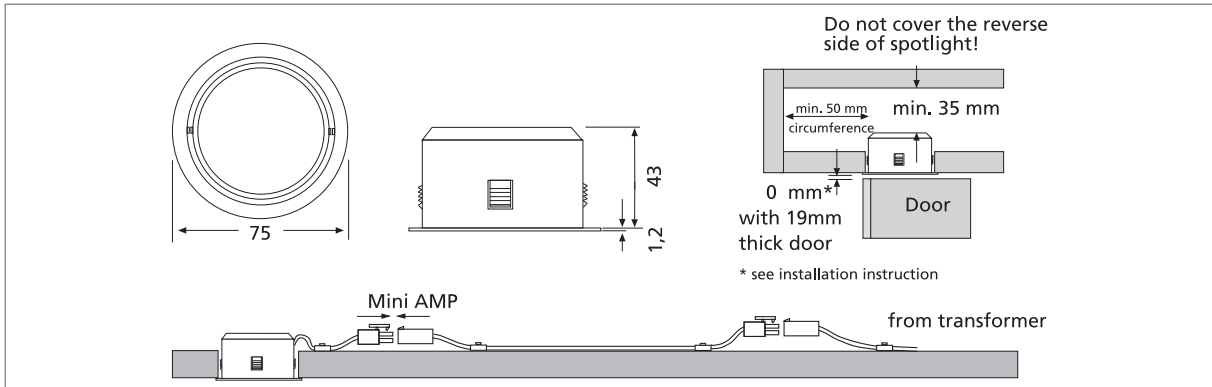


## Thermally Optimised Recessed Halogen Luminaire

- Application:** specifically designed for recessing above cupboard doors in homes and businesses
- Connection:** halogen transformer 12V
- Lamp:** long-life G4 halogen lamp "OSRAM HALOSTAR STARLITE®",  
ø life 4,000 hours / max. 20W
- Energy efficiency:** satisfactory, 13 – 16lm/W (10 – 20W)
- Colour rendering:** very good, Ra = 100
- Special features:** thermal optimisation makes this luminaire ideal above cupboard doors; supplied with satinised, tempered glass cover.



CBS – the thermally optimised safety spotlight which "heatproofs" cupboard doors. The light can stay on constantly, even where doors may remain standing directly under the spot. The very shallow mounted height of only 1.2 mm makes this luminaire ideal where there is little space between door and overhead shelving.

Article No.	Description	Illustration	Features	Approx. weight
610 003 300 24	CBS 20W chrome		<ul style="list-style-type: none"> <li>• supply cable 0.1m with Mini AMP plug</li> <li>• incl. 1.8m connecting cable</li> <li>• incl. satinised tempered glass cover</li> </ul>	65 + 80 g
610 003 300 25	CBS 20W gold			65 + 80 g
610 003 300 26	CBS 20W matt chrome			65 + 80 g
610 003 300 28	CBS 20W stainless steel			65 + 80 g
215 032 202 20	Mini AMP connecting cable 0.5m		<ul style="list-style-type: none"> <li>• further information on page 134</li> </ul>	25 g
215 032 202 10	Mini AMP connecting cable 1m			40 g
215 032 202 02	Mini AMP connecting cable 1.8m			65 g
<b>Accessories:</b>	Transformers for halogen luminaires page 120–127			