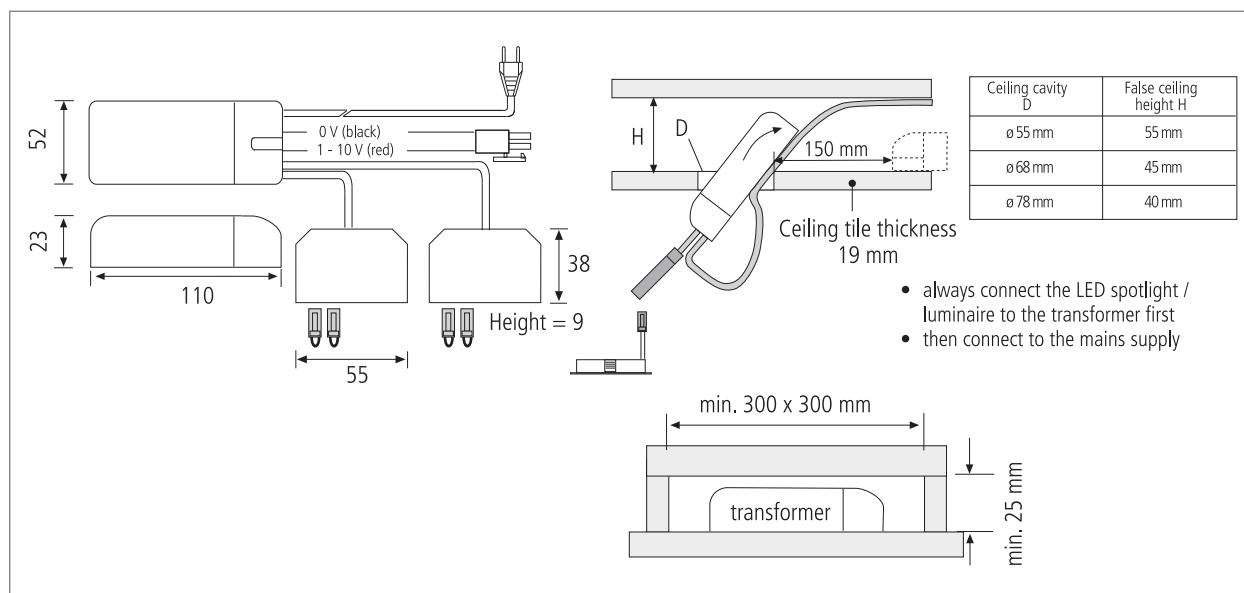


Dimmable safety isolating transformer for 1W power LED

- Connection: 230 – 240V / 50 – 60Hz
- Output: 2 x 8W
- constant 350mA / max. 30V DC
- protected against short-circuit , overload and no-load
- max. length of secondary cables: **4m** each
- dimmable with 1-10V or potentiometer



Article No.	Description	Features	Approx. weight
615 003 005 02	LED transformer Dim LED 2 x 8W 2 x 3-way distributor + 2 short circuit plugs	<ul style="list-style-type: none"> • mains cable 2m with Euro plug 	200 g
506 180 401 01	Mounting dimmer switch (1-10V)	<ul style="list-style-type: none"> • connecting cable 2m with Mini AMP-socket • further dimmer switch on page 142 	95 g