

LED 350/9W

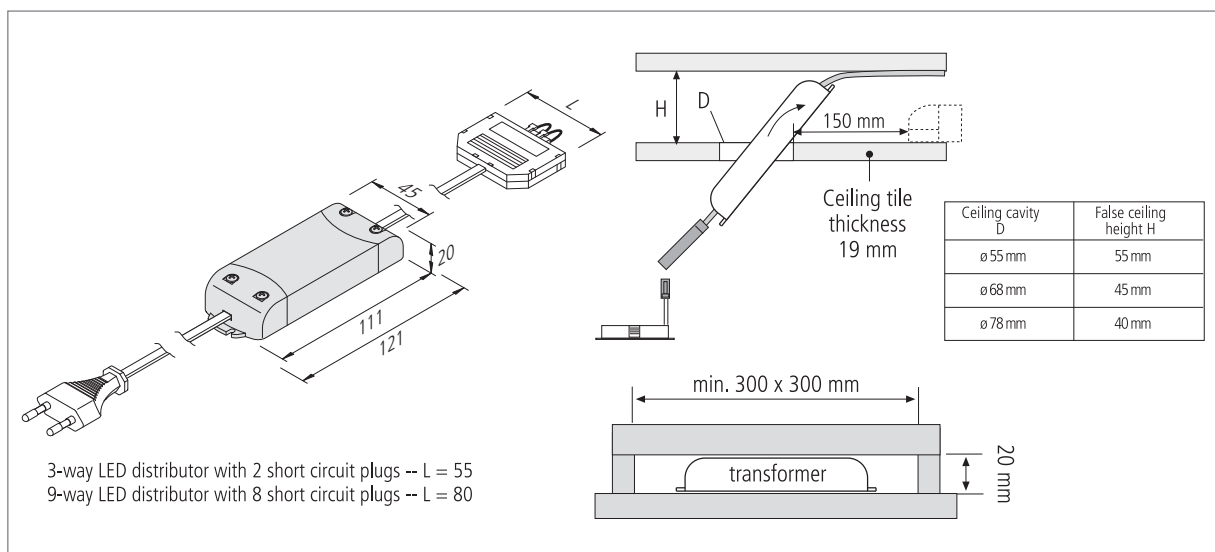


LED Transformers
Halogen Transformers
Plug-in Systems
Switches/Dimmer/Sockets
Lamps



Electronic Safety Isolating Transformer for 1 W power LED

- Connection: 220 – 240V / 0 – 50/60Hz
- Output: 1 – 9W
- Constant 350mA / max. 35V DC
- Protected against short-circuit, overload and no-load
- Max. length of secondary cables: **4m** each



Article No.	Description	Features	Approx. weight
615 003 009 01	Transformer LED 350/9W 3-way distributor + 2 short circuit plugs AE	• Mains cable 2m with ferrules	155 g
615 003 009 02	Transformer LED 350/9W 9-way distributor + 8 short circuit plugs AE		170 g
615 003 009 03	Transformer LED 350/9W 3-way distributor + 2 short circuit plugs Euro	• Mains cable 2m with Euro plug	175 g
615 003 009 04	Transformer LED 350/9W 9-way distributor + 8 short circuit plugs Euro		190 g
615 003 009 05	Transformer LED 350/9W 3-way distributor + 2 short circuit plugs HV LCS	• Mains cable 2m with HV LCS plug (further information page 131)	165 g