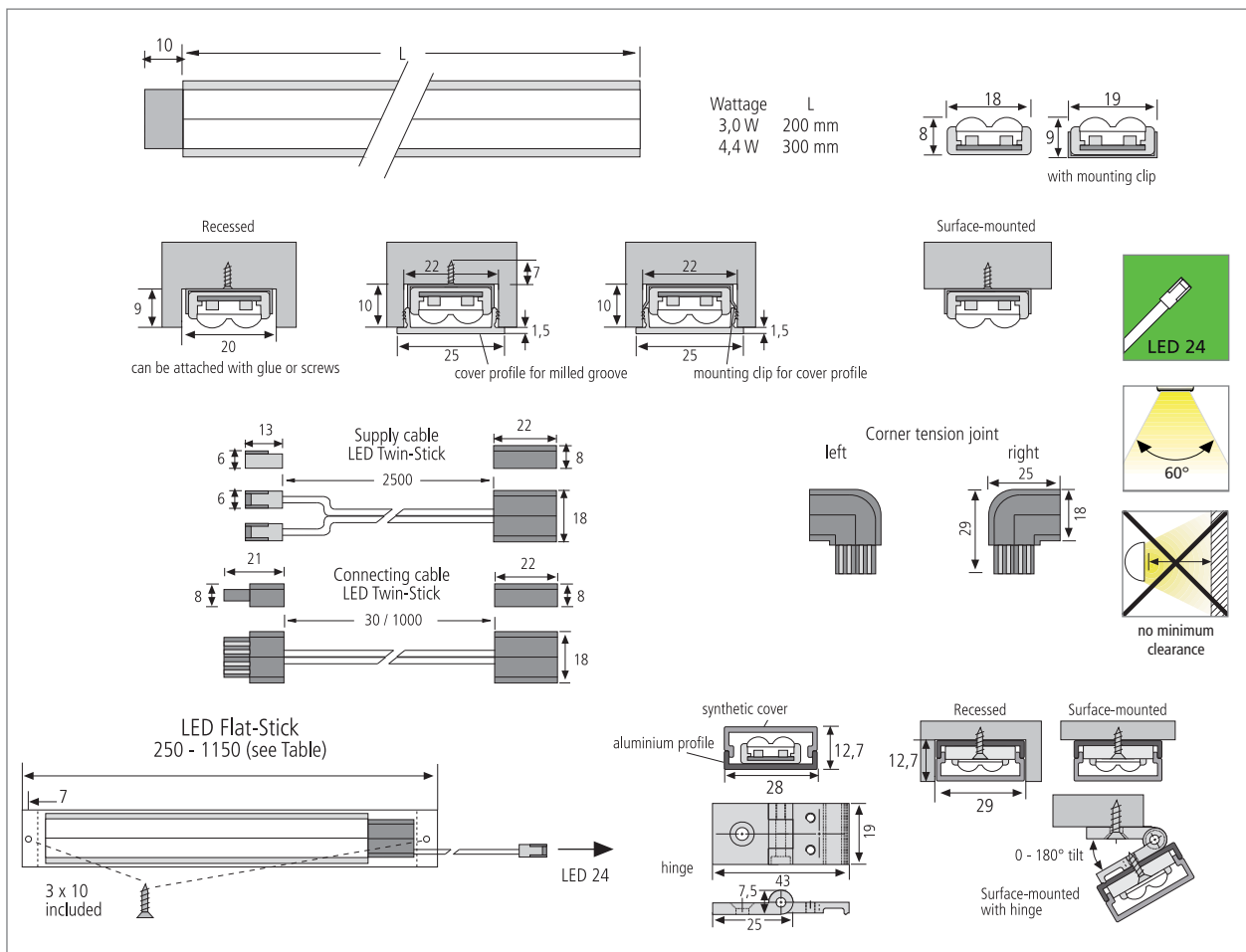


LED Twin-Stick



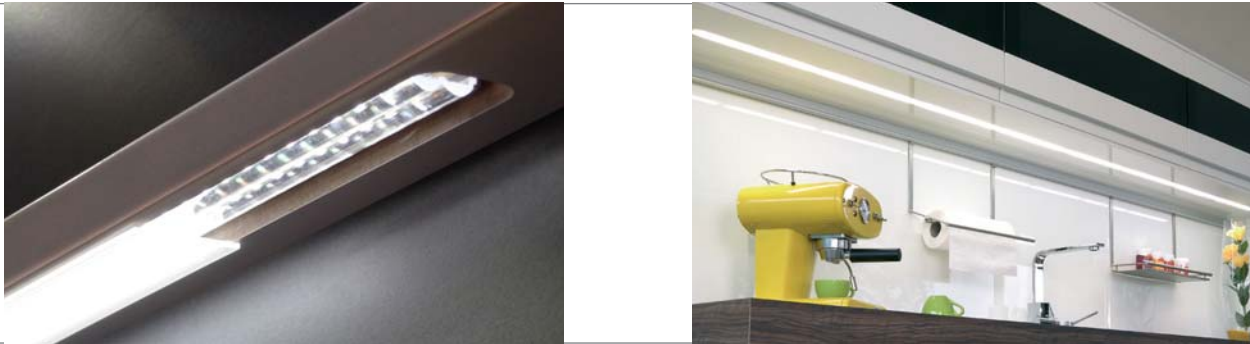
Small, twin plug-in LED stick

- Application:** surface-mounted luminaire for furniture and showcases containing heat-sensitive products
- Connection:** LED-transformer DC 24V
- Lamp:** extremely long-life 70 mW LED, \varnothing life 30,000 hours
- Energy efficiency:** good, ww: 45lm/W; cw: 50lm/W
- Colour rendering:** good, ww: Ra = 90; cw: Ra = 80
- Special features:** no UV rays; maximum 36W or 2,4m in a light strip



LED Twin-Stick

Fluorescent
LED



Article No.	Description	Illustration	Features	Approx. weight
202 021 212 01	LED Twin-Stick 200mm 48 LED 3,0W		• colour appearance cw (cool white)	38 g
202 021 213 01	LED Twin-Stick 300mm 72 LED 4,4W			50 g
202 021 212 02	LED Twin-Stick 200mm 48 LED 3,0W		• colour appearance ww (warm white)	38 g
202 021 213 02	LED Twin-Stick 300mm 72 LED 4,4W			50 g
215 270 625 02	Supply cable LED Twin-Stick 2500mm		• connection between transformer and first Stick	40 g
215 270 000 11	Corner tension joint LED Twin-Stick left		• connection between two Twin-Sticks	2 g
215 270 000 12	Corner tension joint LED Twin-Stick right			2 g
215 270 600 02	Connecting cable LED Twin-Stick 30 mm		• connection between two Twin-Sticks	5 g
215 270 610 02	Connecting cable LED Twin-Stick 1000 mm			21 g
202 040 107 02	Mounting clip LED Twin-Stick		• included with Stick • incl. 2 screws and 2 adhesive strips	4 g
203 012 801 10	Cover profile LED Stick 1000mm slightly matt		• to cover the milled groove • material PC	47 g
203 012 801 54	Cover profile LED Stick 5400mm roll			255 g
202 040 107 12	Mounting clip LED Twin-Stick for cover profile		• set of 2 for groove with cover profile	2 g
206 040 011 01	LED transformer LED 24/15W DC 24V		• mains cable 2m or 1,8m (60W) with Euro plug • with 12-way distributor • further information from page 131	167 g
206 040 012 01	LED transformer LED 24/30W DC 24V			250 g
615 003 006 02	LED transformer LED 24/60W DC 24V			355 g
615 003 007 02	LED transformer LED 24/15W DC 24V dimmable		• mains cable 2m with Euro plug • dimmable (1-10V) • dimmer cable 0,3m mit Mini AMP-plug • further information from page 131	200 g
615 003 008 02	LED transformer LED 24/30W DC 24V dimmable			285 g
506 180 401 01	Mounting dimmer switch (1-10V)		• dimmer cable 2m with Mini AMP-socket • other dimmer page 142	95 g
610 010 800 01	LED Flat-Stick 250mm 3,0W		• supply cable 2,5m • Anodised aluminium • colour appearance ww (warm white)	135 g
610 010 801 01	LED Flat-Stick 350mm 4,4W			165 g
610 010 806 01	LED Flat-Stick 450mm 6,0W			195 g
610 010 802 01	LED Flat-Stick 550mm 7,4W			225 g
610 010 803 01	LED Flat-Stick 850mm 11,8W			310 g
610 010 805 01	LED Flat-Stick 1150mm 16,2W			400 g
610 010 800 02	LED Flat-Stick 250mm 3,0W		• supply cable 2,5m • Anodised aluminium • colour appearance cw (cool white)	135 g
610 010 801 02	LED Flat-Stick 350mm 4,4W			165 g
610 010 802 02	LED Flat-Stick 550mm 7,4W			225 g
610 010 803 02	LED Flat-Stick 850mm 11,8W			310 g
610 010 804 02	LED Flat-Stick 950mm 13,2W			340 g
610 010 805 02	LED Flat-Stick 1150mm 16,2W			400 g
213 060 000 20	Flat hinge Set 0-180° tilt		• for LED Flat-Stick and LED Flatlight	13 g